

## CONTROL OF SOLAR POWER SYSTEMS

ADAMEK, M[ilan]; NEUMANN, P[etr] & MATYSEK, M[iroslav]

**Abstract:** The goal of this work is to supplement the swivelling solar system for battery and the solar regulator so that the system was independent of the electrical network. The theoretical part of this work deals with the description of the principle of photovoltaic panels, their kinds and the methods of use. The solar controller that I made it regulates charging battery from the solar panel and also checks its status. The procedure of proposition controller, its parameters and properties, are described together with the adjustment of the system in the practical part.

**Key words:** Solar system, solar charger controller, microcontroller

### 1. INTRODUCTION

Nearly all the energy that we have on the Earth comes from the Sun. On the Earth annually about 1540 peta kWh of solar energy land on. This is about 15 000 times more than the global energy consumption. In view of this finding there are taken the steps to use the largest energy source. Generating electricity directly from sunlight is environmentally friendly and cleanest way of its production. To convert sunlight into electricity there are widely used the solar cells, which comprise the solar panels of various sizes.

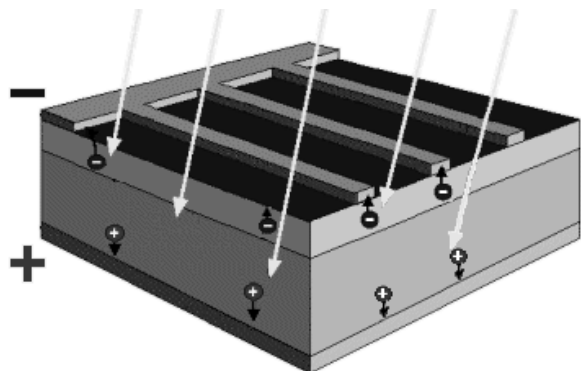


Fig. 1. Ultrasonic detectors kit



Fig. 2. Polycrystalline cell

Active layer of the solar panel is made of silicon crystals. According to the scheme, in which the crystals are arranged, solar panels can be divided into three groups. This is the monocrystal, polycrystalline and amorphous crystals.

Panels based on silicon are also sometimes called as PV-Si systems. PV-Si systems are divided into PV-c-Si systems and PV-a-Si. The first category includes panels based on monocrystalline and polycrystalline silicon. Another category, called PV-a-Si includes single-or multi-layer panels based on amorphous silicon.



Fig. 3. Panel of amorphous silicon

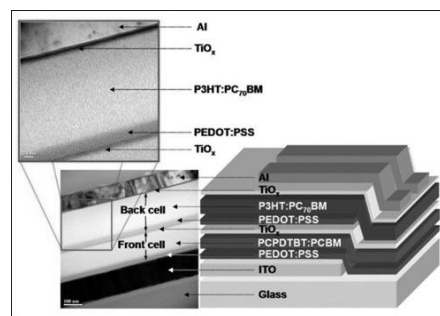


Fig. 4. Cross section of a tandem solar cell structure of organic polymers

### 2. SOLAR SYSTEMS

The solar systems can be divided into four groups. Each group has distinctive features, but some parts are identical in all groups (Mahdal, 2008). The most important group are clearly network systems (grid-on). The solar systems can be divided as follows:

- Minor applications
- Island systems (grid – off)
- Network systems (grid – on)
- BIPV – Building Integrated Photovoltaics.

### 3. DEVELOPMENT OF AUTONOMOUS SOLAR SYSTEM

A model of the solar panel consists of eight solar cells made from monocrystalline silicon. The cells are mounted on a

plastic plate of 500 x 260 mm and a thickness of 5 mm. The panel is attached to the massive structure, which enables the shooting of the two axes (Chudy, 1999). Propulsion is provided by two DC motors with gears. The entire system is controlled by a microcontroller, which evaluates the signals from the sensor position of the sun and simultaneously controls the integrated circuit for motor control (Fraden, 2004). Energy produced by solar panel is used for charging the battery from which the entire system is powered on. We can say that it is an island system (grid-off).

**3.1 Sun position sensor**

Sun's position is monitored by two sensors, which are closely aligned with the horizontal axis of the solar panel. The first sensor monitors the vertical position and a second horizontal position. Sensors are made of photoconductive cells, which are involved in bridge (Dado,1999).

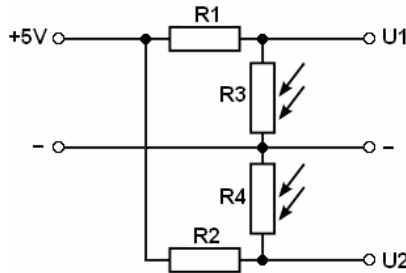


Fig. 5. Bridge involving the sun position sensor

The core of the swivel solar system is a single-chip microcontroller Motorola MC68HC908QY4 (Novak, 2007). Provides input-voltage sensing using eight bit A/D converter of solar sensors and evaluate their values (Babiuch, 2002).

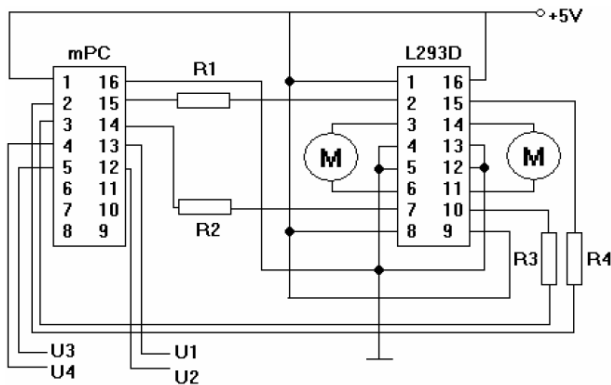


Fig. 6. Involving control circuit

**3.2 The solar controller**

Solar regulator is used for recharging batteries. Diagram of the controller is shown in the picture (Formanek, 2006).



Fig. 7. Involving control circuit

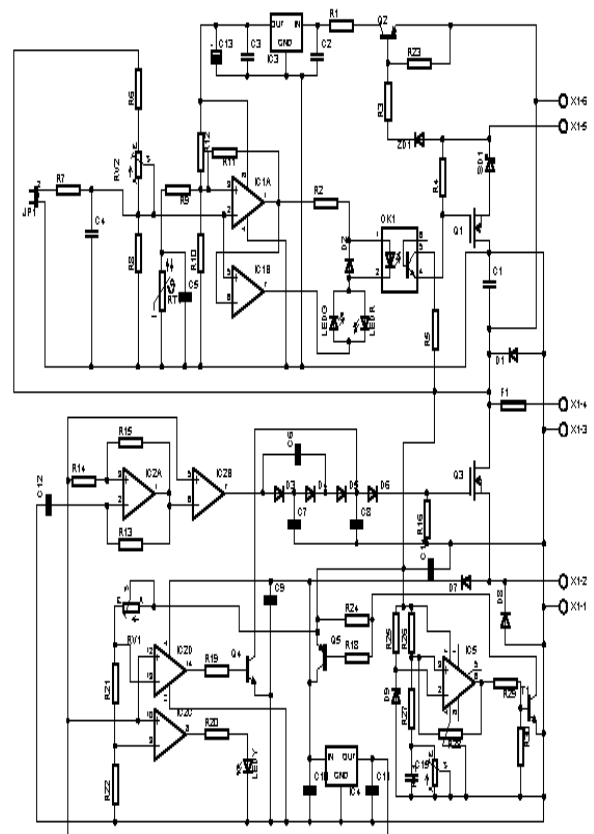


Fig. 8. Scheme of solar controller

**4. CONCLUSION**

System is designed only for demonstrational purposes, but in case connecting more efficient FP panel, it could be used to produce energy to power other appliances. The device is completed maintenance free lead accumulator from Sunnyway with the rated voltage 12V. So that is not depended on the electricity grid.

**5. ACKNOWLEDGEMENTS**

This work was supported by the Ministry of Education of the Czech Republic in the range of research projects No. MSM 7088352102.

**6. REFERENCES**

Babiuch, M. (2002). Implementation of User-friendly Programming Environment for Standalone Microcontrollers. *Proceedings of 3rd International Carpathian Control Conference*. pp. 471-475, ISBN 80-248-0089-6, May 27 – 30, 2002, VSB-TU Ostrava, Ostrava

Dado, S.; Keidl, M. (1999). *Sensors a Measuring Circuits*, Praha: CVUT Prague, ISBN 80-01-02057-6, Prague.

Formanek, I. (2006). *Logical Control*. VSB-TU Ostrava, ISBN 80-248-1012-3, Ostrava

Fraden, J. (2004). *Handbook of Modern Sensors*, Springer-Verlag, ISBN 0-387-00750-4, New York.

Chudy, V., Palencar, R., Kurekova, E. & Halaj, M. (1999). *Measuring of Technological Quantity*, STU, ISBN 80-227-1275-2, Bratislava

Mahdal, M. (2008). Wireless Technologies and Their Applications. *9th International Carpathian Control Conference ICCC 2008*, pp. 388 – 391, ISBN 978-973-746-897-0, May 25 - 28, 2008, Sinaia, Romania.,

Novak, P. (2007). *Mobile robots*, BEN, ISBN 80-7300-140-1, Prague

Copyright of Annals of DAAAM & Proceedings is the property of DAAAM International and its content may not be copied or emailed to multiple sites or posted to a listserv without the copyright holder's express written permission. However, users may print, download, or email articles for individual use.